

Specifications

	MF ACTIVA 7244
Cutting table with standard Terra control	
Cutting width (m)	4.2m - 6.6
Cutting frequency (strokes/min)	1.220
Crop Elevator with standard reverser	
Chains (n°)	3
Drum	
Diameter (mm)	600
Width (mm)	1340
Rasp bars (n°)	8
Concave	
Bars (n°)	12
Wrapping angle (degrees)	120 degrees
ABC threshing module	
Bars (n°)	2
Position (n°)	3
Straw-walkers	
Straw-walkers/steps (n°)	5/4
Separation surface (m²)	6.72
Sieves	
Sieving area (m²)	4.67
Tailing return	drum
Ventilation	
Fan	volumetric
Speed (rpm)	350/1,050

● Standard ○ Optional

	MF ACTIVA 7244
Grain tank	
Capacity (litres)	6500
Unloading speed (Litres/sec)	85
Unloading tube height (m)	4.20
Unloading tube length (m)	4
Quiet cab with Air Conditioning	
Air conditioning system	●
Heating	●
Performance monitor	●
Heated and adjustable rear view mirrors	●
On board computer	●
Engine	
Type	AGCOPOWER
Power rating hp (kW)	209hp (154KW)
Fuel system	Mechanical injection
Alternator (amp)	120
Fuel tank (litres)	450
Transmission	
Type	Hydrostatic
Gearbox (n°)	3
Main brakes	Disc type
Tyres	
Front tyres	620/75 R30
Rear tyres	400/70-20

Accessories list

	MF ACTIVA 7244
Chaff spreader	○
Electrical deflectors for straw chopper	○
Maize kit	○
Small seeds kit	○
Additional work lights	○
Various tyres front and rear	○



209 HP | **MF ACTIVA**
7244



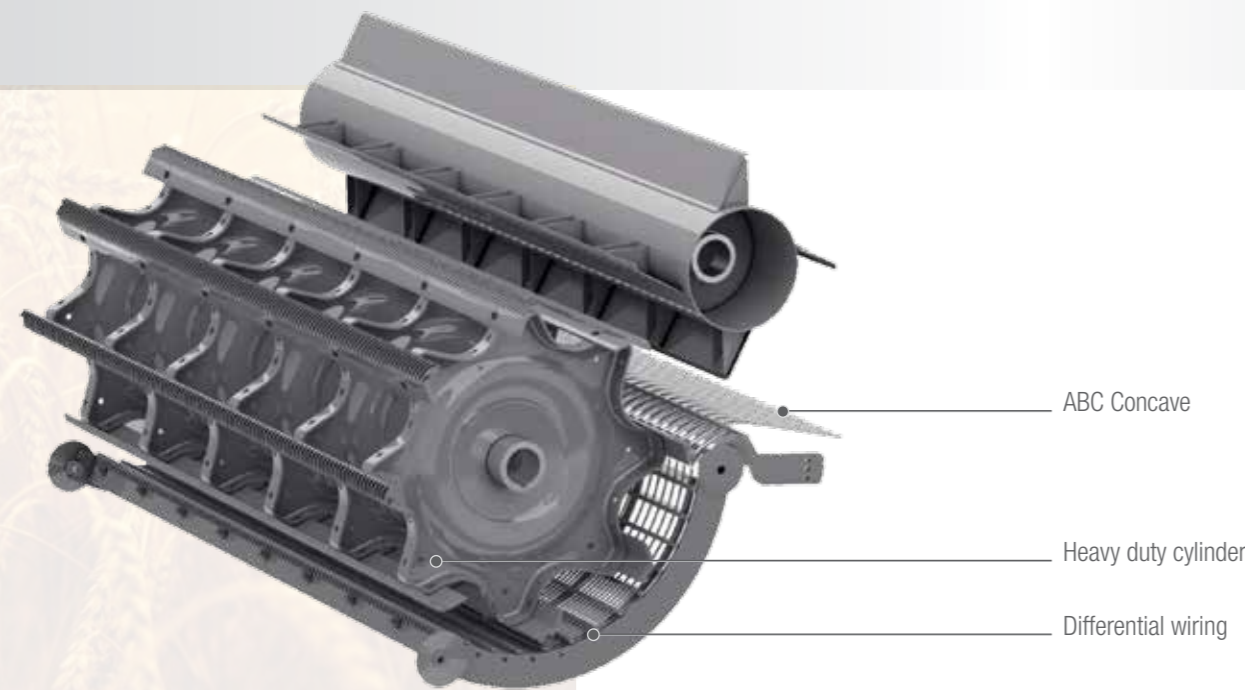
FROM MASSEY FERGUSON

Threshing quality at the heart of the combine

The threshing components have been optimized to suit all crops. A robust cylinder 600mm by 1340 wide, with 8 rasp bars threshes gently and positively. It can handle a wide range of crops from grass seed through small grain to maize.

The concave can be uniquely adjusted back and front from the cab for varying crop conditions. It has differential wire spacing, which offers excellent threshing in the first part coupled with maximum separation in the second part.

On the rear of the main concave the ABC concave is fitted which extends the separation capacity, this can be adjusted in three positions to get the best performance. This increases the separation area by 20%.



High separation performance

5 long walkers with perforated walls and high steps enhance the separation without damaging the straw and importantly having a minimal power requirement. The first section of the walkers is reinforced for maize harvest.



Grain pan and High Capacity Sieve Design

The grain pan with an opposed action agitates the material from the concave making two separate layers of grain and chaff to be separated by the powerful volumetric fan. The fully adjustable sieves have a special design with tags which gives a very clean sample whatever the crop, to remove them for cleaning is very simple with a minimum of effort.



Make life easier to operate

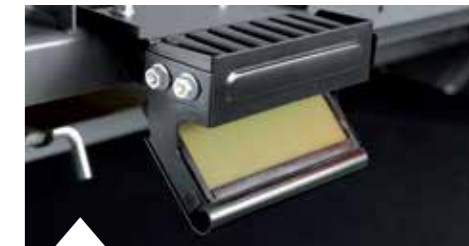
The Comfort Cab is designed to give the operator an ideal and productive working environment, it brings together excellent convenience with perfect comfort, even after many hours of work. From his position the operator remains in complete control of the combine thanks to the Agritronic plus on board computer. The controls are ergonomically positioned making the combine operation both simple easy. Features like Air suspension seat, Adjustable heated mirrors and excellent visibility are standard.



Freeflow table with full length fingers



Serrated blade chopper



Performance sensor



Front and rear concave adjustment